

35 Watt Mutiband AM Shortwave Transmitter Circuit

The published diagrams of Station QRP are for educational purposes only. These are offered for the furtherance of one's knowledge regarding radio frequency design and principles

Transmitter: Tube (CV4055 & 6146W)

Voltage: 613 volt / 300 mA

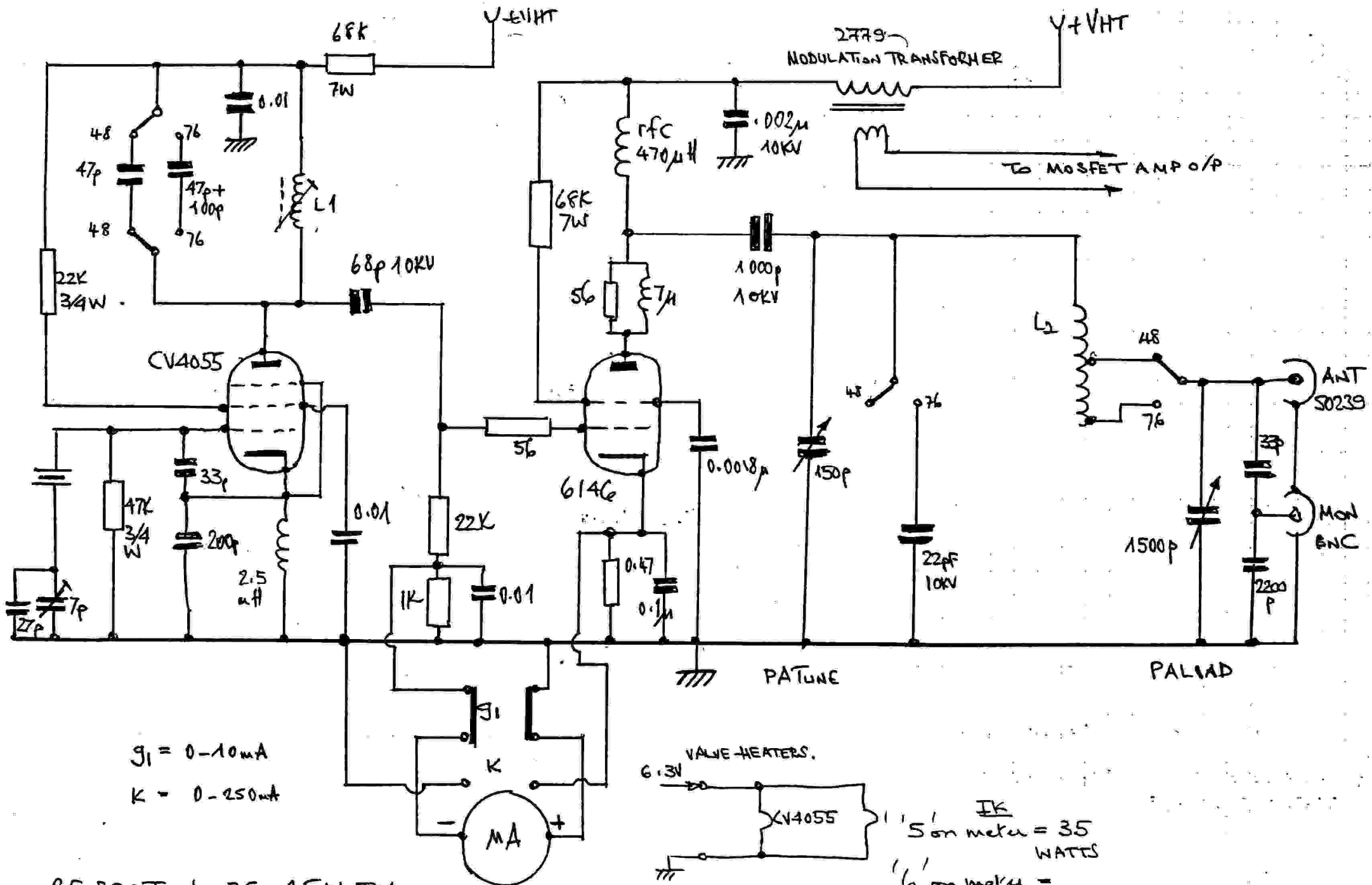
Frequency: Multiband 3.9x and 6.2x kHz

Modulation: AM (High Level Modulation System); 100% Mod

Amplifier: Internal 100 Watt/8 Ohm R.M.S. MOSFET amplifier (BU2900/5)

Audio: Internal limiter, low pass (<220 Hz) & high pass (>5.5 KHz) filter

Output Power: 35 Watts nominal



RF SECTION 35-45W TX.



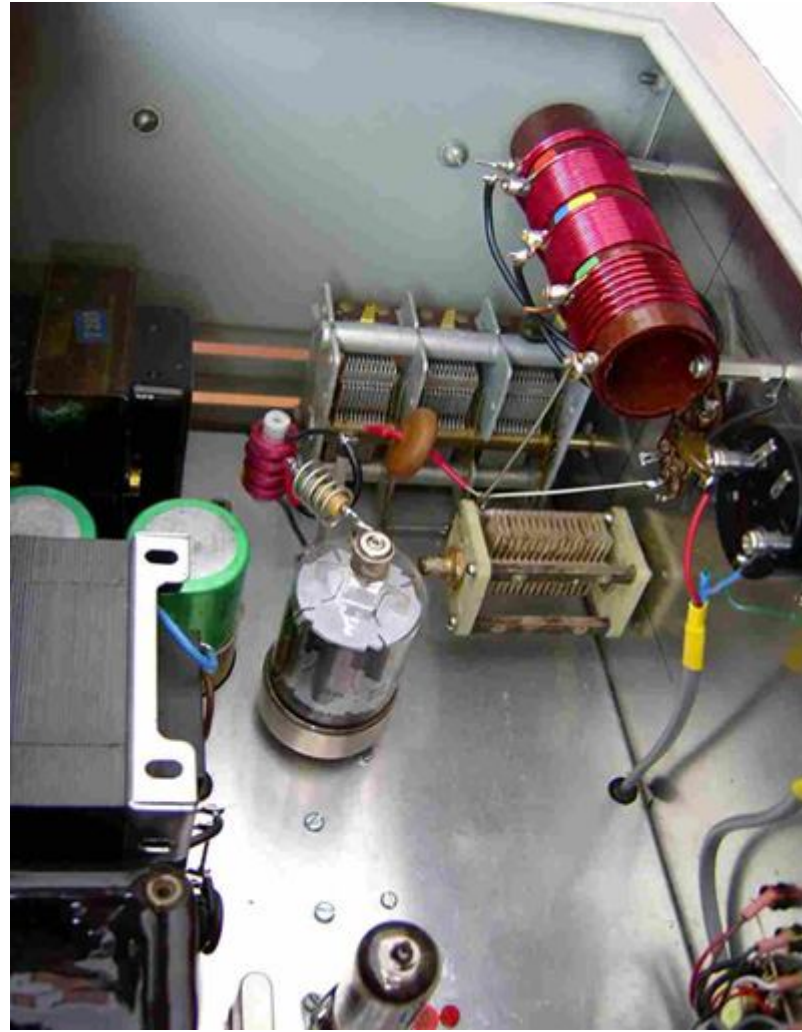
switches for gain- and mod level, grid and cathode measurement plus fan for cooling



Seen from abovebelow the CV4055 the frequency switch, above the crystal. To your right the 6146W and tank circuit. To your left the audio section



Seen from the bottom....



Capacitors, coil and 6146W. Nominal output power a perky 35 watts



Audio section; at the left the BU2900/5, in the middle the low- and high pass audio filters and limiter